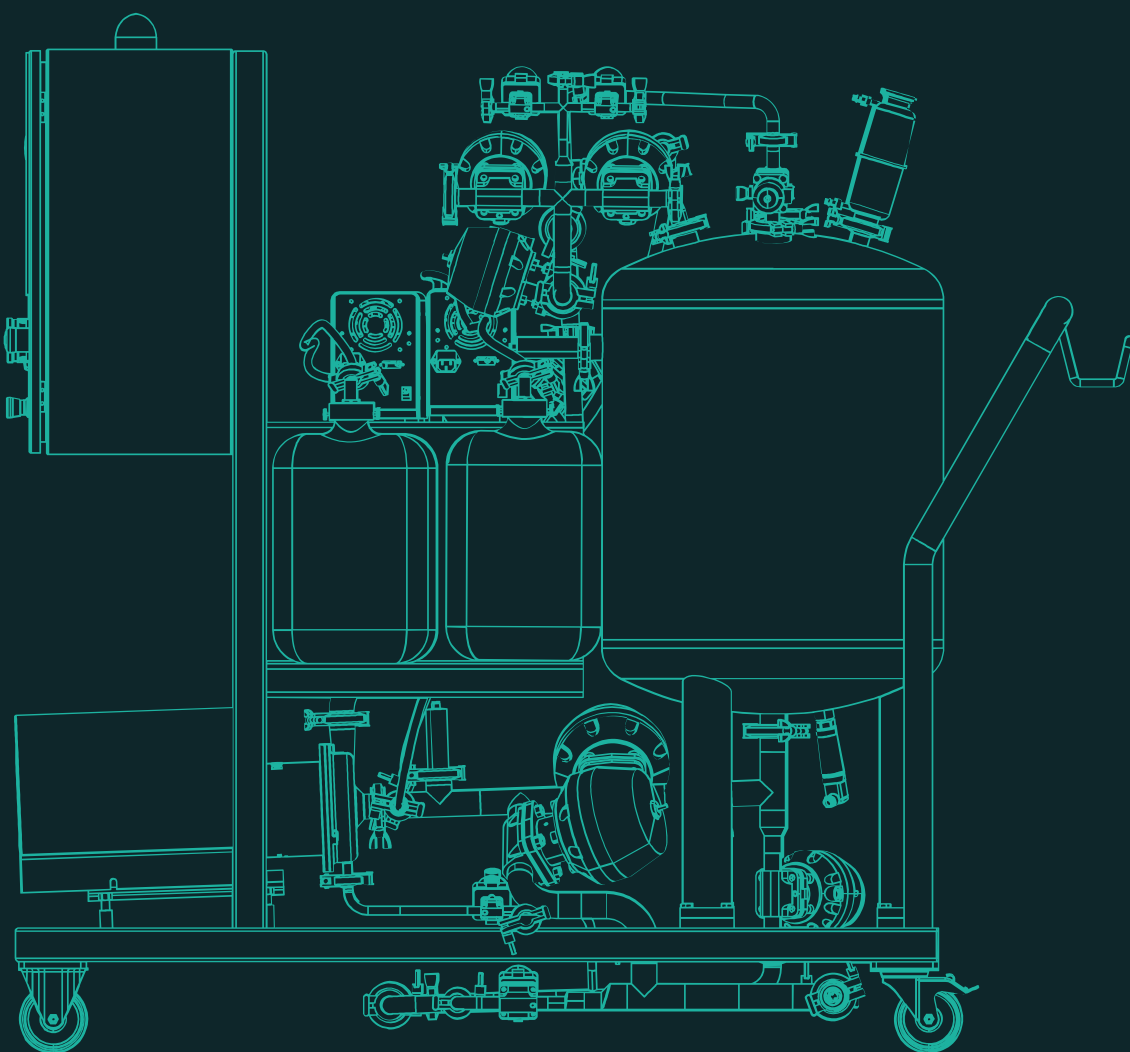


ePlus[®]

CIP

Cleaning system, for cleaning
volumes up to 2000L



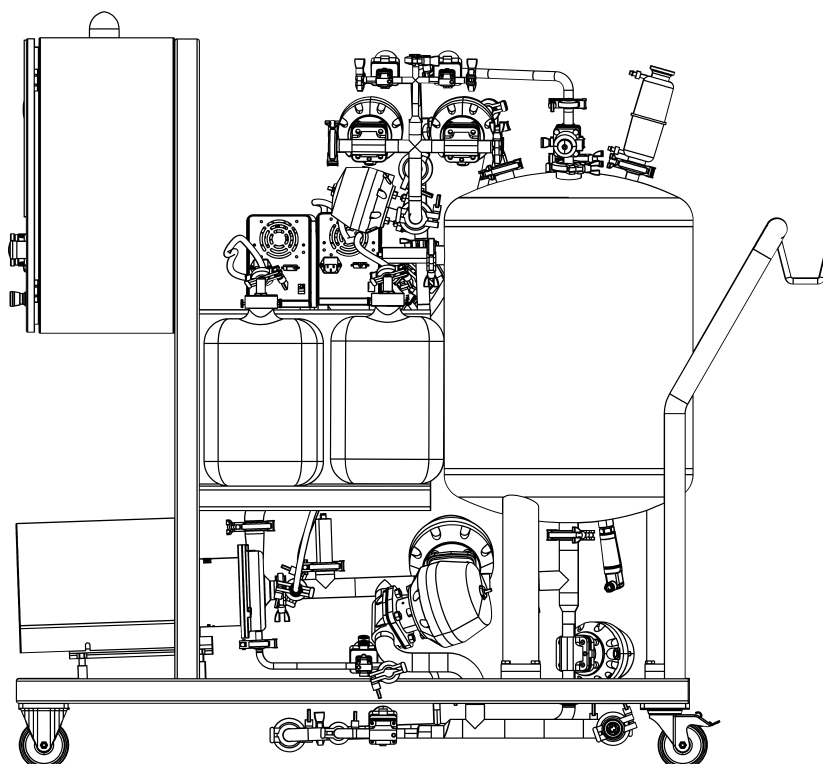
ePLUS® CIP

Introducing the Full automatic and Easy-to-Use Compact Vessel with Optional Heating System. This innovative solution features a prestablished recipe for an intuitive configuration experience. With a standard manifold of 4 outlets that can be expanded if needed, this compact vessel is equipped with a 100L stainless steel CIP tank that e-actively can clean large volume equipment using a CIP cleaning system.

The CIP bioreactor tank is designed to deliver efficient and reliable cleaning, ensuring that your bioreactor is free of contamination and ready for the next batch. The CIP cleaning process is a crucial part of maintaining the integrity of the system, making the CIP system pharmaceutical standard a key feature in our design. By utilizing high-quality CIP cleaning chemicals and a robust CIP cleaning solution, we are able to provide a system that meets the highest cleaning standards.

To maintain optimal temperature during cleaning, an optional autonomous heating system with a power-controlled resistance is available, ensuring the temperature remains above 70°C. This clean in place system, also known as CIP clean in place, is fully automated and easy to use, minimizing downtime and ensuring that your operations run smoothly. Experience a versatile and adaptable cleaning solution with this compact vessel and optional heating system.

Invest in the CIP tank and streamline your cleaning process for optimal efficiency and productivity. With this clean in place equipment, you can trust that your bioreactors will be thoroughly and efficiently cleaned, ensuring they are ready for their next use.



Basic configuration

Control modules	
Rinsing module	Included
CIP with cleaning solution module	Included
Conductivity verification module	Included
Self-cleaning of CIP equipment module	Included
eSCADA Advanced	Included
OPC server	Included
User's management	Included
Recipe's management	Included
PAT	Optional
21CFR Part 11 Compliant	Optional
Equipment	
Centrifugal sanitary pump	Included
Vessel level measurement	Included
CIP pressure measurement	Included
Flow sensor for liquid detection	Included
100L stainless steel vessel (other sizes available on request)	Included
Level switch for minimum level	Included
Level switch for maximum level	Included
Detergent storage bottle (20L)	Included
Water addition port	Included
Drain port	Included
CIP ball for vessel cleaning	Included
Conductivity sensor	Included
4x CIP outlet ports	Included
2nd detergent storage bottle (20L)	Optional
2nd water addition port	Optional
2nd drain port	Optional
Heating module	Optional (steam or electrical heating)
200L vessel version	Optional
Certificate 3.1	Optional

Technical specifications

Overall system	Standard version	Heating version
Overall dimensions (including vessel) (WxHxD) (mm)	1651x1537x600mm	
Control unit weight approx (Kg)	220	
Power supply	3x phase 1x neutral 1x ground 380V AC 50Hz 5A	3x phase 1x neutral 1x ground 380V AC 50Hz 10A
Skid material	Stainless steel AISI 304	
Pipping and vessel material	Stainless steel AISI 316	
Controller type	Industrial PLC	
Operation / HMI Interface	Intouch screen 10" / eSCADA	
Electrical interfaces	1x ethernet 1x WLAN 1x USB	
Advanced software	Compatible with Qubicon and Lucullus	

CIP vessel features

Vessel volume (L)	100
Vessel type	Bottom rounded cylindrical tank
Top connections	1x 1-1/2" TC for venting 1x 1-1/2" TC for CIP ball 1x 1-1/2" TC for water inlet 1x 1-1/2" TC (spare) 1x spyglass
Side connections	2x 1-1/2" TC for liquid detection
Bottom connections	1x 1-1/2" TC for bottom valve 1x G1/2" for pressure sensor

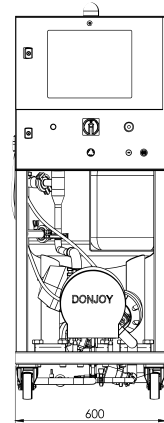
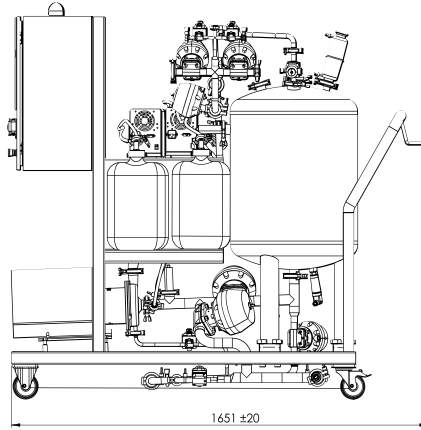
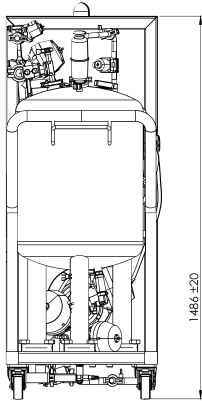
CIP physical interfaces

CIP outlet ports	2x 1-1/2" TC valve assisted 2x 1/2" TC valve assisted 1x 1/2" TC
Water inlet	1x (2x under request) 3/4" TC
CIP return port	1x 1-1/2" TC
Draining system	1x (2x under request) 1" TC connection

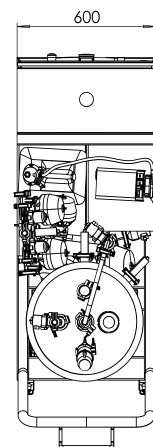
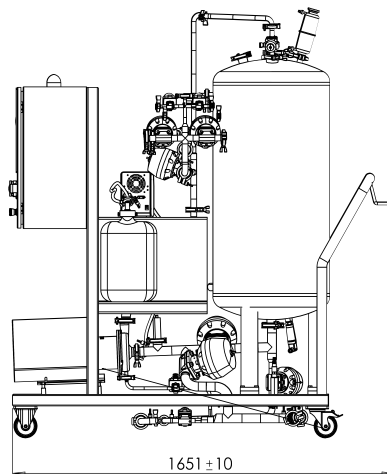
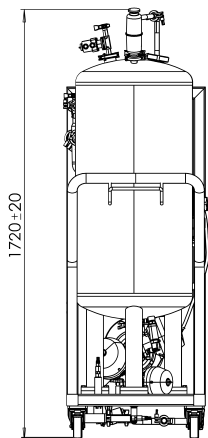
Functional specifications

Pumping system	Sanitary centrifugal pump with drain
Pumping capacity (L/h) @ 1.8 barg	Up to 15 m ³ /h
Pressure sensor	
Range	0 - 6 barg
Accuracy	0.3% MV
Level measurement	
Range	0 - 400 mbarg
Accuracy	0.3% MV
Temperature measurement	Pt100 0-150°C
Temperature control	20 - 80°C
Conductivity sensor	4-pole contacting Range: 1 µS/cm to 300 mS/cm
Heating system (electrical heating)	Heating coil 6 kW
Flow sensor	
Flow velocity (m/s)	0.3 - 3 m/s
Accuracy	2-10%
Peristaltic pumps for detergent addition	
Pump head	For 2.4 mm wall thickness tubing
Speed	0.5-600 rpm
Flow rate	0.035 - 2280 ml/min

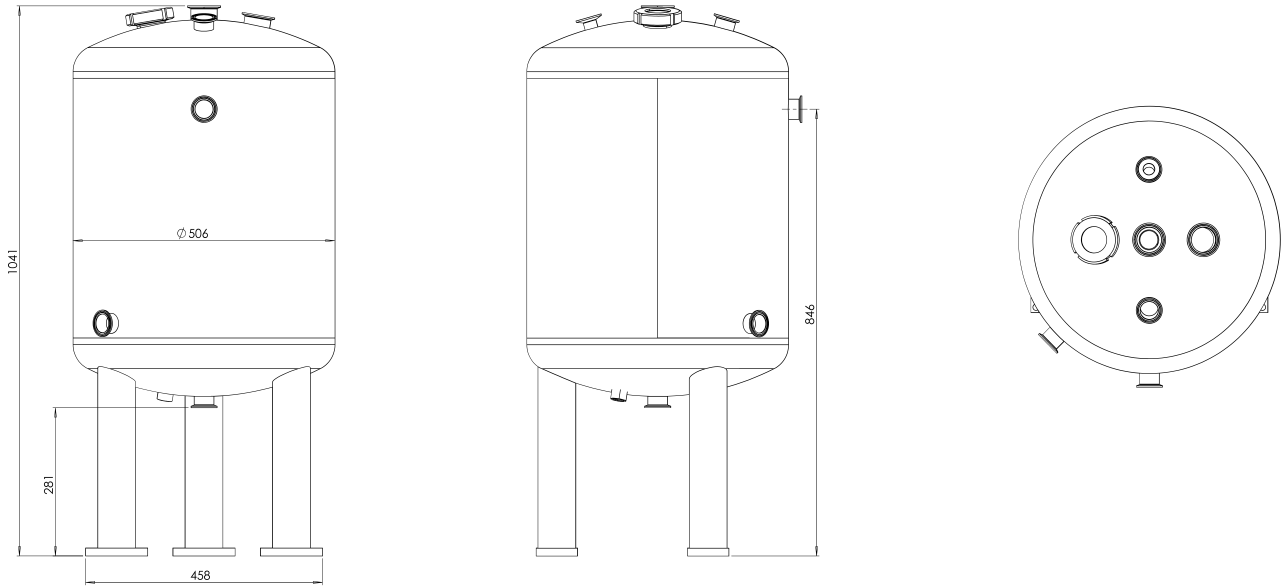
ePLUS CIP 100L (measurements in mm)



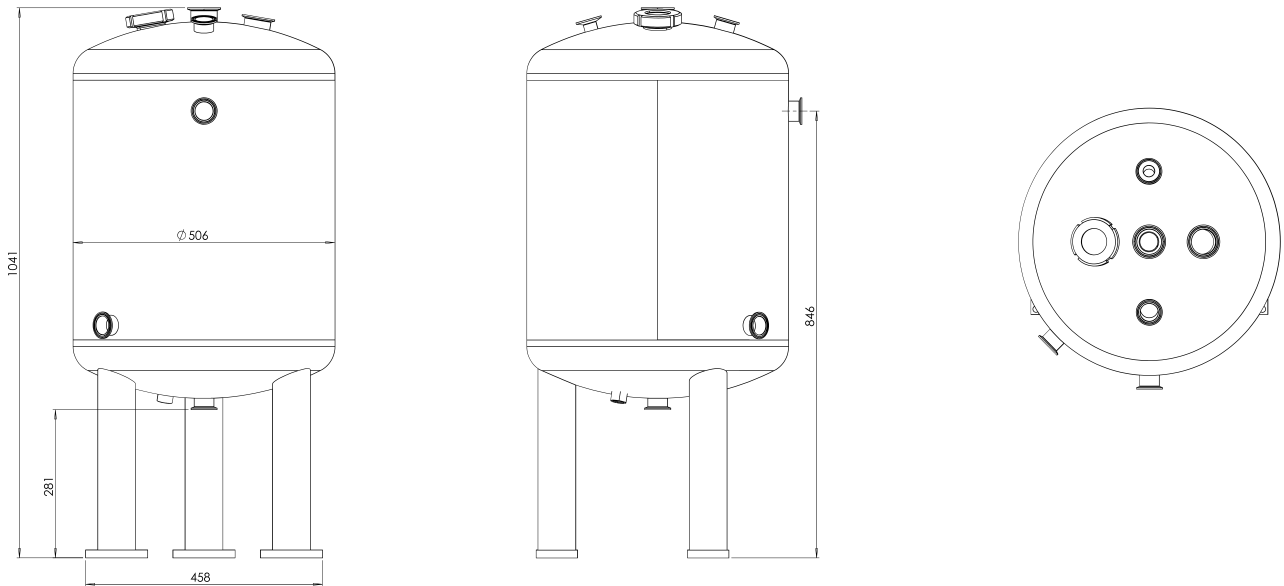
ePLUS CIP 200L (measurements in mm)



Vessel 100L (measurements in mm)



Vessel 200L (measurements in mm)



Partnerships



Regulation



Do you need more information?
We are here to help you

Headquarters, Riudarenes -Spain

sales@tecnic.eu
+34 972 877 327
tecnic.eu



We evolve together

sales@tecnic.eu · +34 972 877 327 · tecnic.eu